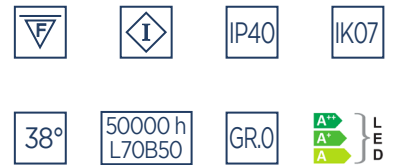




STAR Led 38°



CODES

TCK52538B-RWW

Temp. Col. 2700 K
on/off

TCK52538B-WW

Temp. Col. 3000 K
on/off

TCK52538B-NW

Temp. Col. 4000 K
on/off

STAR LED is an elegant ON-OFF track spotlight, available with three different optics: 15°, 38° and 60°. Versatile for all types of lighting, adjustable at 350° on the horizontal axis and 90° on the vertical axis. Ideal for shop windows, shops, art galleries.

The body in the standard version is white, upon request it can also be gray or black.

Available also in three different color temperatures 2700 K, 3000 K, 4000 K.

Luminaire for Eurotrack standard track installation with COB type LED source, circular aluminum body and smooth finish, parabolic diffuser with convex facets. The fixing is made by a three-circuit track adapter. Integrated LED driver in the body of the device. White color finish.

PHOTOMETRIC CHARACTERISTICS

Source Type: LED COB

Color Temperature: 2700 K / 3000 K / 4000 K

Color Tolerance: 2 MacAdam

Light Source Yield: 140 lm/W

Color Rendering Index (CRI): > 90

Useful Life Expectation: 50000 h

Lumen Maintenance: L70B50

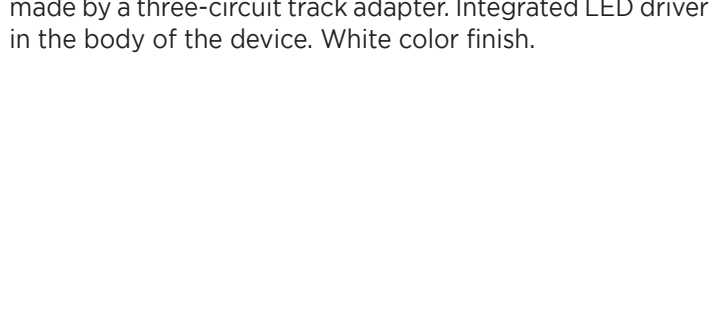
Number of Sources: 1

Luminaire emission: 1997 lm (RWW) / 2096 lm (WW) / 2135 lm (NW)

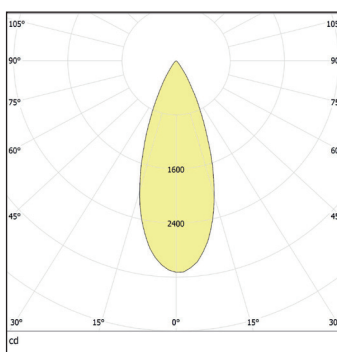
Light Output Ratio (LOR): 100 %

Beam Aperture: 38°

Photobiological Risk Class: 0 - Exempt



Emission



Illuminance

∅ [m] at 50% I _{max}	E _{max} [lux]
0.3	9324
0.7	2331
1.0	1036
1.4	583
1.7	373
2.1	259
Distance [m]	

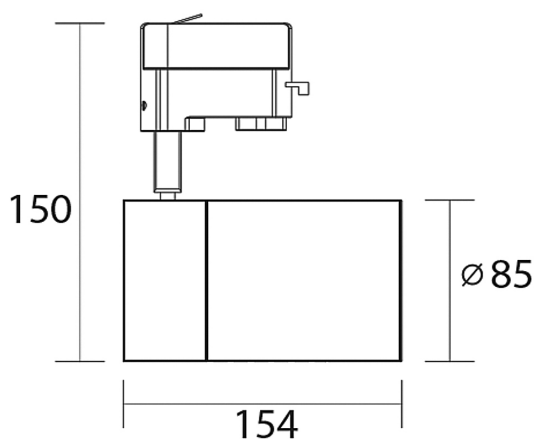
ELECTRICAL CHARACTERISTICS

Driver: integrated
Power Supply: 220-240 V ac, 50 Hz, 120 mA max
Absorption: 25 W
Socket: Adapter for eurotrack standard track
Insulation Class: I
Number of outputs: 1
Dimmable: no
Performed Functions: on/off

MECHANICAL CHARACTERISTICS

Luminaire color: White
Optical system: Polycarbonate diffuser with convex facets
Adjustable Beam: Adjustable light beam on two axes: 350° on the horizontal axis and 90° on the vertical axis
Type of Installation: On electrified track
Walkable / Carriageable: no
Flammable surfaces: Suitable to be installed on normally inflammable surfaces
Protection Rating: IP40
Mechanical Resistance: IK07
Glow Wire Test: 650°C
Dimensions: Ø 85 x 154 mm
Weight: 760 g
Ambient Temperature: -20°C / +45°C
Reference Norms: the product meets the requirements of:
- compliance with RoHS Directive 2011/65 / EU.
- electromagnetic compatibility in accordance with the EMC 2014/30 / EU and LVD 2014/35 / EU directives.
- photobiological compatibility according to EN 62471: 2010.

DIMENSIONS



ACCESSORIES



TCK52538B-EN.pdf - Rev. 0 - 10/2019

Arena Luci Design s.r.l.
via Svizzera 12/14 - 46042 Castel Goffredo (MN)
Tel: +39 0376 782411 - Fax: +39 0376 780973
www.arenaluci.it - info@arenaluci.it

Arenaluci