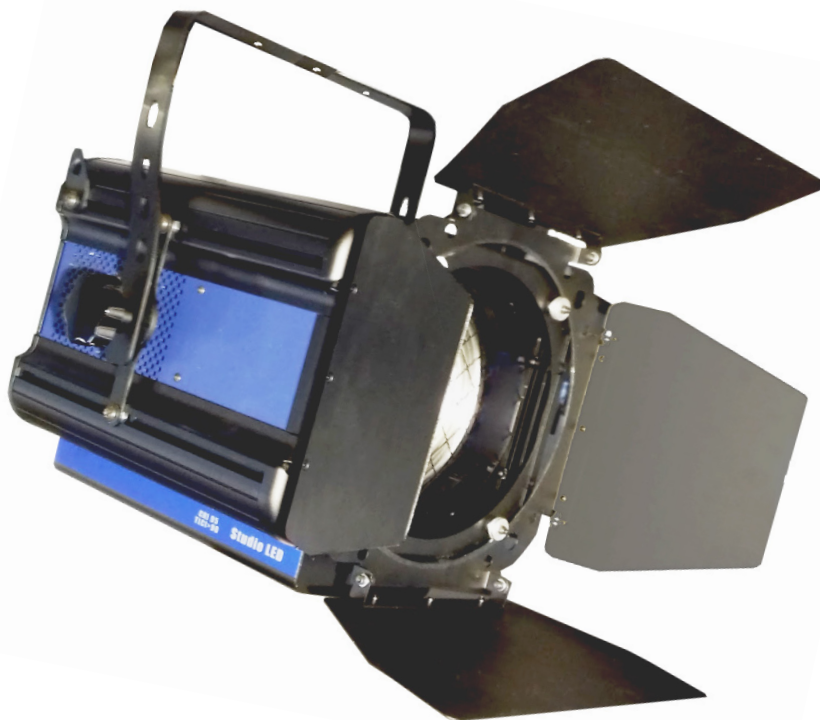


FRESNEL LED 300 SERIES



FEATURES:

- 300W interchangeable LED Module
- Different color temperatures are available
- CRI>95 and TLCI>90.
- DMX 512 control, RDM Function
- 2 control channels
- Adjustable zoom from 9° to 50°
- Manual zoom
- LCD Digital display
- Control connections, Neutrik XLR 5P In&Out
- Power connections, Neutrik Powercon In&Out
- Heatsink with low noise fan, max 8 dB
- Barndoor 4 leaves optional



Barndoor
cod. AC210

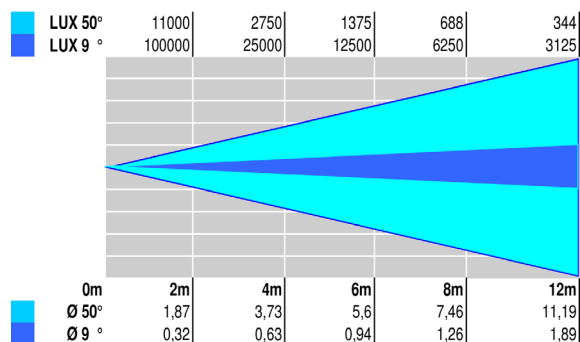
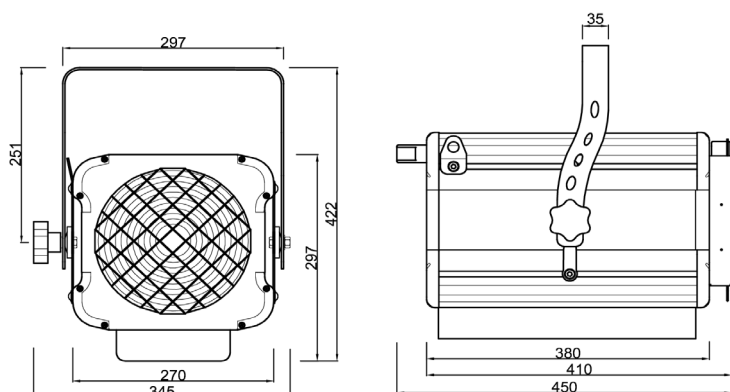
Replaceable LED module with high efficiency, long life, DMX function, available in two different white temperatures like 3150K and 6000K, high CRI > 95 (rendering color performance index), TLCI > 90 (Television Lighting Consistency Index).

Studio LED 300 DMX with DMX control and manual Zoom. The control by DMX allows the coordination with any other device, avoiding the use of traditional dimmer and dedicated lines.

The dimmer has a soft and linear setting from 0 to 100% without any flickering.

Strobe effect at variable speed.

Code	Colour Temp.	Input Driver	Watt	Light Source	Control	Beam Angle	Body Material	Optic Material	IP rate
SPTF-300950DD-WW	3150 K	100+240Vac	300W	LED Module	DMX Dimmer - Manual Zoom	Adj. zoom from 9° to 50°	Aluminium	PC	20
SPTF-300950DD-W	6000 K	100+240Vac	300W	LED Module	DMX Dimmer - Manual Zoom	Adj. zoom from 9° to 50°	Aluminium	PC	20



Arena Luci s.r.l. si riserva la facoltà di modificare le caratteristiche dei prodotti senza obbligo di preavviso
Arena Luci s.r.l. reserve the right to change products specifications at anytime without prior notice