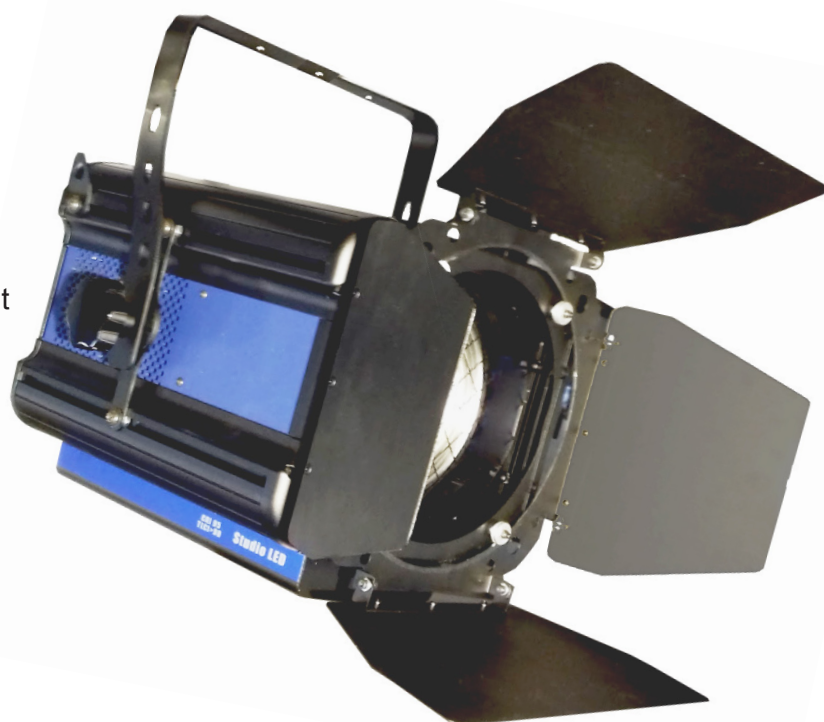


FRESNEL LED 300 SERIES



FEATURES:

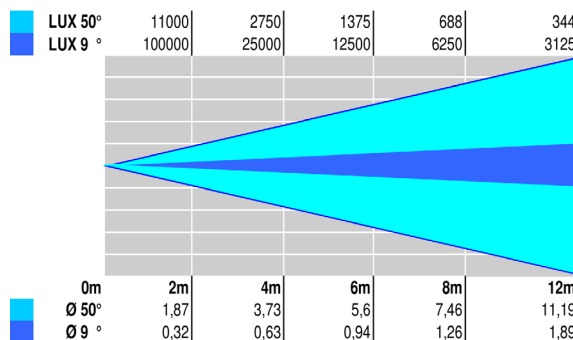
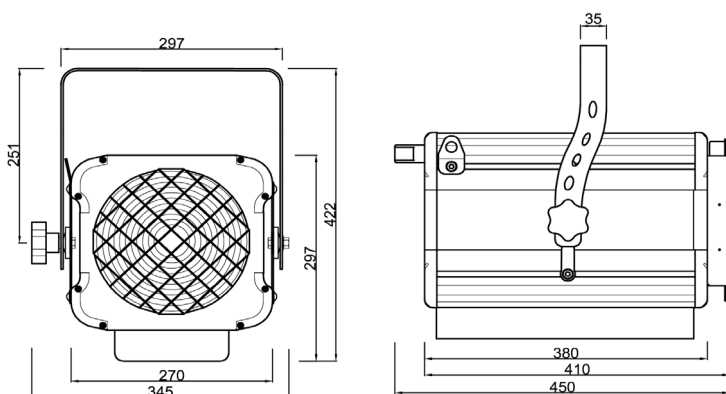
- 300W interchangeable LED Module
- Different color temperatures are available
- CRI>95 and TLCI>90.
- Adjustable zoom from 9° to 50°
- Manual zoom
- High precision manual dimmer
- LCD Digital display
- Power connections, Neutrik Powercon In&Out
- Heatsink with low noise fan, max 8 dB
- Barndoor 4 leaves optional



Barndoor
cod. AC210

Replaceable LED module with high efficiency, long life, available in two different white temperatures like 3150K and 6000K, high CRI > 95 (rendering color performance index), TLCI > 90 (Television Lighting Consistency Index). Studio LED 300 Base with manual high precision potentiometer to adjust the dimmer from 0 to 100% and manual Zoom. It is possible to adjust manually the intensity of the outgoing light by an integrated rotating potentiometer on the spotlight. The dimmer has a soft and linear setting from 0 to 100% without any flickering. Strobe effect at variable speed.

Code	Colour Temp.	Input Driver	Watt	Light Source	Control	Beam Angle	Body Material	Optic Material	IP rate
SPTF-300950D-WW	3150 K	100+240Vac	300W	LED Module	Manual Dimmer - Manual Zoom	Adj. zoom from 9° to 50°	Aluminium	PC	20
SPTF-300950D-W	6000 K	100+240Vac	300W	LED Module	Manual Dimmer - Manual Zoom	Adj. zoom from 9° to 50°	Aluminium	PC	20



Arena Luci s.r.l. si riserva la facoltà di modificare le caratteristiche dei prodotti senza obbligo di preavviso
 Arena Luci s.r.l. reserve the right to change products specifications at anytime without prior notice