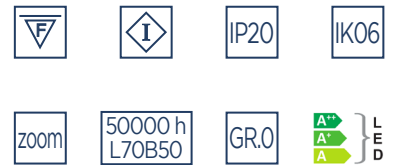




DALI LED Manual dim

7° ÷ 48°



CODES

SPTD7055PB-WW

Temp. Col. 3000 K
Manual dimmer

SPTD7055PB-NW

Temp. Col. 4000 K
Manual dimmer

SPTD7055PB-W

Temp. Col. 5700 K
Manual dimmer

Spot zoom projector with PC front lens, high efficiency replaceable LED source, long life, heat sink with low noise 8 dB max fan, available in three different color temperatures, 3000 K, 4000 K and 5700 K, CRI > 90.

Rectangular compact shape, front plano-convex antialo glass lens, manually adjustable zoom from 7° to 48°.

Fixing system with adjustable fork +/- 50° with respect to the horizontal, optional accessory adapter with three circuits for electrified track.

Three-pole power cable, integrated switching power supply.

Dimmable by onboard potentiometer.

The master dimmer has a soft and continuous adjustment from 5 to 100%.

Body in aluminum and steel plarte, white epoxy paint resistant to scratches. Gray and black colors available on request.

PHOTOMETRIC CHARACTERISTICS

Source Type: Interchangeable LED module

Color Temperature: 3000 K (WW), 4000 K (NW), 5700 K (W)

Color Tolerance: 2 MacAdam

Light Source Yield: 120 lm/W

Color Rendering Index (CRI): > 90

Useful Life Expectation: 50000 h

Lumen Maintenance: L80B20

Luminaire emission: 4510 lm (WW), 4950 lm (NW) , 4950 lm (W)

Beam Aperture: 7° ÷ 48° manual zoom

Photobiological Risk Class: 0 - Exempt

Spot zoom projector with PC front lens, high efficiency replaceable LED source, long life, heat sink with low noise 8 dB max fan, available in three different color temperatures, 3000 K, 4000 K and 5700 K, CRI > 90.

Rectangular compact shape, front plano-convex antialo glass lens, manually adjustable zoom from 7° to 48°.

Fixing system with adjustable fork +/- 50° with respect to the horizontal, optional accessory adapter with three circuits for electrified track.

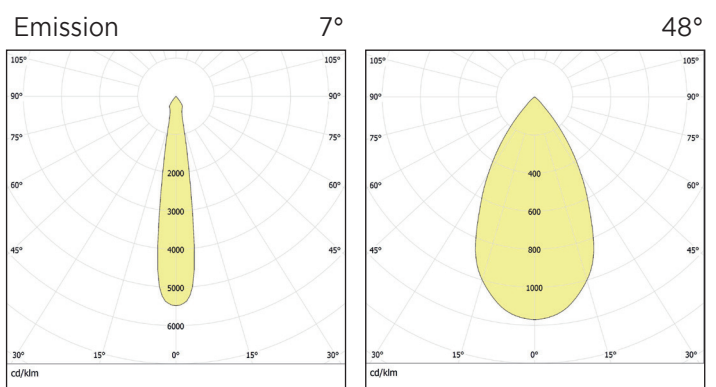
Three-pole power cable, integrated switching power supply.

Dimmable by onboard potentiometer.

The master dimmer has a soft and continuous adjustment from 5 to 100%.

Body in aluminum and steel plarte, white epoxy paint resistant to scratches. Gray and black colors available on request.

Emission

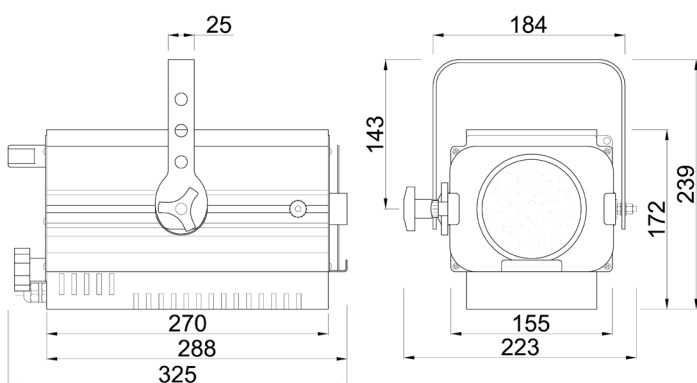


ELECTRICAL CHARACTERISTICS

Driver: integrated
Power Supply: 230 V ac, 50 Hz
Absorption: 55 W
Socket: Pre-assembled three-pole cable
Insulation Class: I
Dimmable: Through onboard potentiometer
Control Signal: -
Performed Functions: Dimmer



DIMENSIONS



MECHANICAL CHARACTERISTICS

Luminaire color: White
Optical system: Glass plano-convex lens
Adjustable Beam: Adjustable fork +/- 50°
Type of Installation: On fixing structure or on electrified track with optional adapter
Flammable surfaces: Suitable to be installed on normally inflammable surfaces
Protection Rating: IP20
Mechanical Resistance: IK06
Dimensions: 325 x 223 x 172 mm
Weight: 4.8 kg
Ambient Temperature: -10°C / +40°C
Reference Norms: the product meets the requirements of:
- compliance with RoHS Directive 2011/65 / EU.
- electromagnetic compatibility in accordance with the EMC 2014/30 / EU and LVD 2014/35 / EU directives.
- photobiological compatibility according to EN 62471: 2010.

ACCESSORIES



4 leaves barndoor, code PR8060



Three circuits adapter for electrified track, code APL1443DB

SPTD7055PB-EN.pdf - Rev. 0 - 12/2019

Arena Luci Design s.r.l.
via Svizzera 12/14 - 46042 Castel Goffredo (MN)
Tel: +39 0376 782411 - Fax: +39 0376 780973
www.arenaluci.it - info@arenaluci.it

Arenaluci