



CODES

DWL2510-CCT

Temp. Col. 3000K / 4000K / 6000K
CCT Selectable

Recessed projector with very high chromatic yield with anti-glare optics set back from the installation plane, UGR <19, white color temperature selectable via the switch on the back of the lamp body. Ideal for any type of lighting: offices with and without the use of VDTs, shops, homes and public places of all types.

LED downlight with recessed source, concentrated luminous flux for rooms with high ceilings. LED light source with smd components welded on the plate, not replaceable by the user. Opal diffuser in plastic material to protect the LEDs.

Circular die-cast aluminum armor, painted in white, white cover ring.

Steel fixing springs fixed on the outside of the armature, in a diametrically opposite position.

Dark gray plastic rear cover with three-position selector to set the white color temperature.

Reflector in satin finish aluminum, coated in high reflectivity aluminum color, smooth. Anti-iridescent faceted parabolic cup in the initial part of the reflector. Direction of light for shielded emission compl. EN 12464-2011 with L65 <1500 cd/m².

Mounting without tools, using two springs for 3-25 mm thick ceilings. For linear false ceilings or modules with visible or concealed bearing systems.

Separate class II on/off type power supply, connected to the luminaire with a 22AWG bipolar cable equipped with an asymmetrical quick connector. Bipolar screw terminal block for connection to the electrical network. Driver for emergency function available on request with autonomy of 1, 2, 3 hours.

LIGHT SOURCE CHARACTERISTICS

Source Type: LED smd model 2835 arranged on MCPCB plate, replaceable by qualified personnel, non-directional (NDLS), non-mains (NMLS), not-connected

Energy consumption: 9 (at 4000 K) kWh/1000h

Energy efficiency class: E

Useful luminous flux: 1100 lm in sphere 360° (at 4000 K)

On-mode power: 9.5 W (3000 K) - 8.9 W (4000 K) - 9.3 W (6000 K)

Total mains efficacy η_{TM} : 114.5 lm/W

Expected lifetime L70B50: 50000 h

Colour Temperature: 3000 K / 4000 K / 6000 K

Chromaticity coordinates: x [0.366] - y [0.359] at 4000 K

Colour consistency: < 6 MacAdam

Colour Rendering Index (Ra): > 90

Colour Rendering Index (R9): > 50

Beam angle: 120°

Photobiological Risk Class: 0 - Exempt

Number of LEDs: 15 (3000 K) + 15 (6000 K)

Electrical supply: 27 V (3000 K) - 25.5 V (4000 K) - 26.6 V (6000 K), 350 mA constant

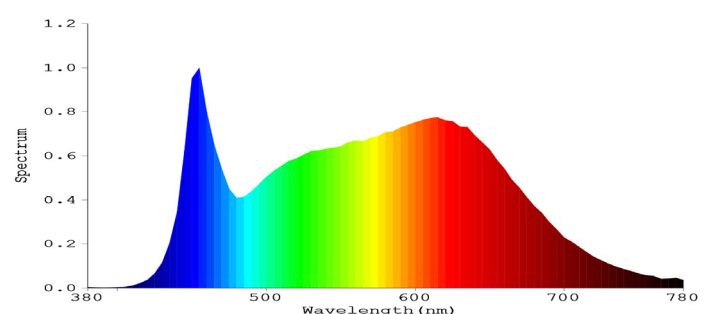
Electrical connection: 25 cm fixed cable with asymmetrical plug-in terminal

Standby power: 0 W

Networked standby power: 0 W

Anti-glare shield: no

Source dimensions: Ø55 x 2.5 mm



LUMINAIRE CHARACTERISTICS

Output luminous flux: 890 lm (3000 K) - 1050 lm (4000 K) - 920 lm (6000 K)

Absorption: 10.2 W (3000 K) - 9.8 W (4000 K) - 10.4 W (6000 K)

Output beam angle: 55°

Power Supply: 220-240 V ac, 50/60 Hz, 80 mA max

Driver: external included - replaceable by qualified personnel

Electrical interface: screw terminals

Insulation class: II

Power Factor: > 0.9

Number of Outputs: 1

Output: 20-45 V dc, 350 mA constant, 15W max

Connection: pre-assembled 20 cm cable with asymmetrical plug-in terminal

T_a: 45 °C - **T_c:** 85°C

Emergency Function: optional with kit KBATT1236

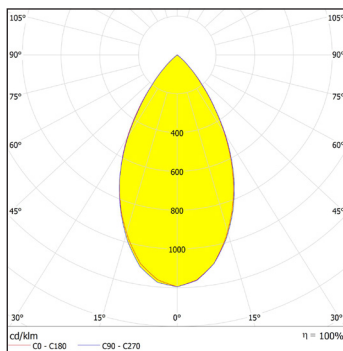
Dimmable: no

Performed Functions: on/off

Luminous efficiency: 89 lm/W (3000) - 105 lm/W (4000 K) - 92 lm/W (6000 K) lm/W

Unified Glare Rating (UGR): < 19

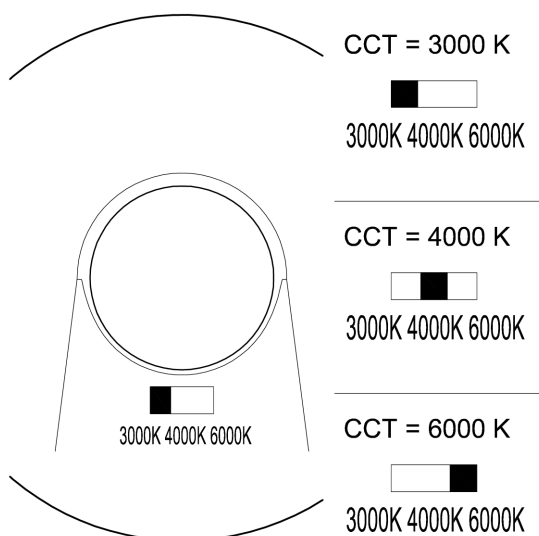
Emission



Illuminance

Ø [m] @ 50% I _{max}	E _{max} [lux]
0.5	3852
1.0	963
1.6	428
2.1	241
2.6	154
3.1	107

Distance [m]



MECHANICAL CHARACTERISTICS

Luminaire Color: White

Optical System: Opal acrylic diffuser positioned above the smd LED board

Adjustable Beam: no

Recess Hole: Ø 90 mm P 75 mm min

Type of Installation: Recessed in false ceiling or false wall

Walkable / Carriageable: no

Flammable Surfaces: Suitable for installation on normally flammable surfaces

Protection Rating: IP20

Mechanical Resistance: IK07

Glow Wire Test: 350 °C

Dimensions: Ø 113 x 67 mm

Weight: luminaire: 110 g - driver: 75 g

Ambient Temperature Ta: -15°C / +45°C

Relative Humidity: 90% non condensing

Reference Norms: the product meets the requirements of:

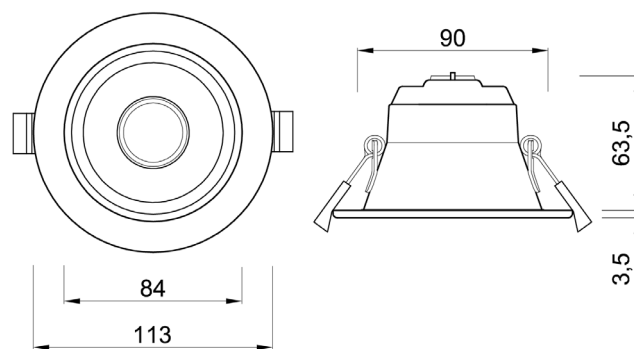
- compliance with the RoHS 2011/65/EU directive.
- electromagnetic compatibility in compliance with the EMC directive 2014/30/EU and LVD 2014/35/EU.
- photobiological compatibility according to the EN 62471: 2010 standard.
- compliance with Ecodesign directive 2009/125/EC, reg. (EU) 2019/2020.
- Energy Label 2010/30/EU, reg. (EU) 2017/1369, reg. (EU) 2019/2015.

ACCESSORIES

Emergency Kit, code KBATT1236-1 (1h), KBATT1236-2 (2 h), KBATT1236 (3 h)

ZigBee dimmable power supply, code LP5019ZG-50CC

DIMENSIONS



Available on request: Information sheet.

DWL2510-CCT-en.pdf - Rev. 0 - 07/2022

Arena Luci Design s.r.l.
via Svizzera 12/14 - 46042 Castel Goffredo (MN)
Tel: +39 0376 782411 - Fax: +39 0376 780973
www.arenaluci.it - info@arenaluci.it

Arenaluci
DESIGN