

# PROFESSIONAL POWER SUPPLY SERIES



[www.arenaluci.com](http://www.arenaluci.com)

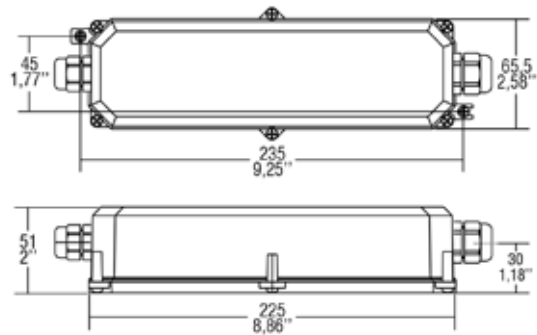
Arena Luci srl  
via Svizzera 12/14 - 46042 Castel Goffredo (MN), Italy  
Tel. +39 0376 782411 - Fax +39 0376 780973  
[info@arenaluci.it](mailto:info@arenaluci.it)

# PROFESSIONAL IP67 POWER SUPPLY

## Features:

- IP67 independent driver, for outdoor use.
- Class I protection against electric shock for direct or indirect contact.-Protection
- If the input cable is damaged it can only be replaced
- Protections: against overheating and short circuits; against mains voltage spikes; against overloads.

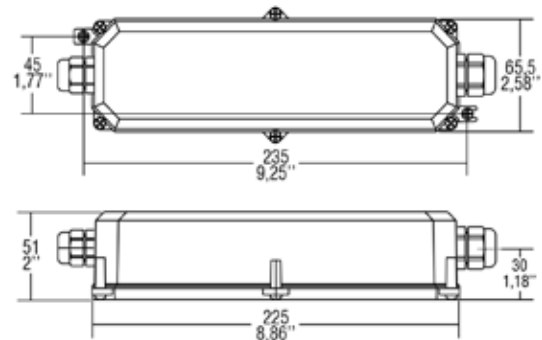
## PROFESSIONAL IP67 - 70W CONSTANT VOLTAGE LED DRIVER



Code	Input voltage Vac	Input Frequency Hz	Max. output W	Output voltage Vdc	Output current A	Power factor	Efficiency full load %	No-load power W	Ambient temperature °C	Max. casing temperature °C	Ripple
LP122477	176÷264V	50...60	70	12	0÷5.80	0.97	>89	<0.3	-40...+45	75	Free
LP122479	176÷264V	50...60	75	24	0÷2.90	0.97	>91	<0.3	-40...+45	75	Free

PROFESSIONAL - IP67 --PROFESSIONAL - IP67 --PROFESSIONAL

## PROFESSIONAL IP67 - 150W CONSTANT VOLTAGE LED DRIVER



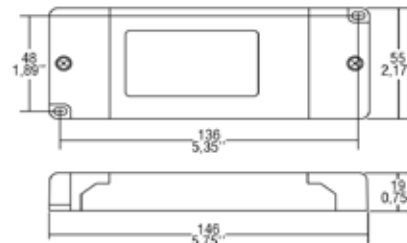
Code	Input voltage Vac	Input Frequency Hz	Max. output W	Output voltage Vdc	Output current A	Power factor	Efficiency full load %	No-load power W	Ambient temperature °C	Max. casing temperature °C	Ripple
LP122511	220÷240V	50...60	150	24	0÷6.25	0.98	>94	<0.4	-40...+45	75	Free

# PROFESSIONAL IP20 POWER SUPPLY

## Features:

- AC/DC electronic driver with output in voltage, specific for installations in compliance with the standards of lighting applications.
- Class I protection against electric shock for direct or indirect contact. IP20 independent driver.
- Input and output terminal blocks on opposite sides
- Protections: against overheating and short circuits; against mains voltage spikes; against overloads.

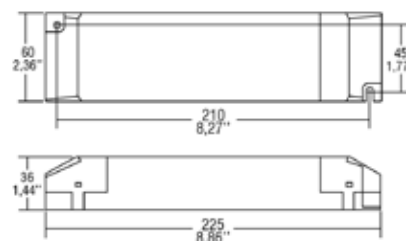
## PROFESSIONAL ULTRA SLIM IP20 - 25W CONSTANT VOLTAGE LED DRIVER



Code	Input voltage Vac	Input Frequency Hz	Max. output W	Output voltage Vdc	Output current A	Power factor	Efficiency full load %	No-load power W	Ambient temperature °C	Max. casing temperature °C	Ripple
LP122320	90÷264V	50...60	25	12	0÷2.08	0.55	>85	<0.3	-25...+50	80	Free
LP122322	90÷264V	50...60	25	24	0÷1.04	0.55	>86	<0.3	-25...+50	80	Free

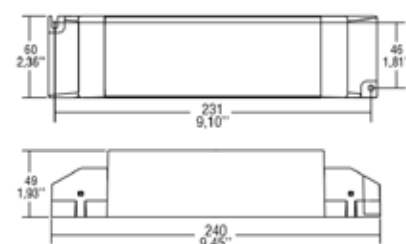
PROFESSIONAL - IP20 -- PROFESSIONAL - IP20 -- PROFESSIONAL

## PROFESSIONAL IP20 - 70W CONSTANT VOLTAGE LED DRIVER



Code	Input voltage Vac	Input Frequency Hz	Max. output W	Output voltage Vdc	Output current A	Power factor	Efficiency full load %	No-load power W	Ambient temperature °C	Max. casing temperature °C	Ripple
LP122758	198÷264V	50...60	70	12	0÷5.80	0.97	>89	<0.3	-40...+45	70	Free
LP122750	198÷264V	50...60	75	24	0÷2.90	0.97	>91	<0.3	-40...+45	70	Free

## PROFESSIONAL IP20 - 150W CONSTANT VOLTAGE LED DRIVER



Code	Input voltage Vac	Input Frequency Hz	Max. output W	Output voltage Vdc	Output current A	Power factor	Efficiency full load %	No-load power W	Ambient temperature °C	Max. casing temperature °C	Ripple
LP122754	198÷264V	50...60	150	24	0÷6.25	0.98	>94	<0.4	-40...+45	75	Free

**IP67  
PROFESSIONAL  
SERIES**

**IP20  
PROFESSIONAL  
SERIES**



Arena Luci srl  
via Svizzera 12/14 - 46042 Castel Goffredo (MN), Italy  
Tel. +39 0376 782411 - Fax +39 0376 780973  
[www.arenaluci.com](http://www.arenaluci.com) - [info@arenaluci.com](mailto:info@arenaluci.com)