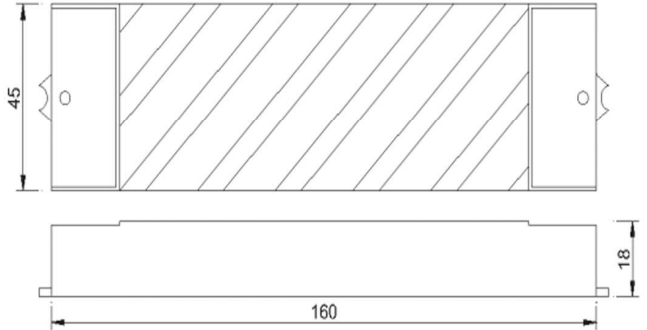
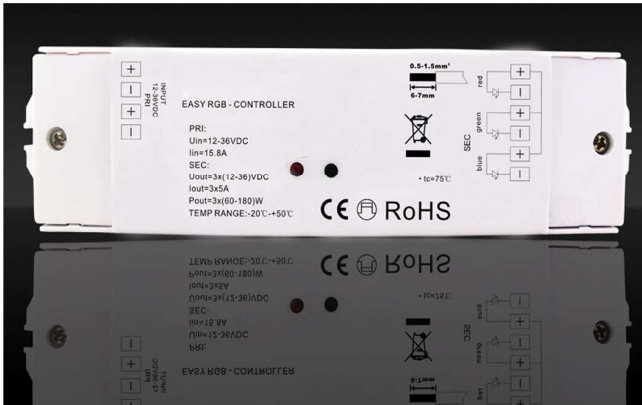


# Control driver RGB

Cod. LC1006



## TECHNICAL PARAMETER

### COD. LC1006

Input: 12Vdc, 24Vdc, 36Vdc

Output: 12Vdc, 24Vdc, 36Vdc

I Max Input: 15,8A

I Max Output: 5A x 3 CH

Max Load (180W - 12Vdc / 250W 24Vdc)

434MHz/868MHz

Ta: -20°C +50°C

## Connection

