

IP65

CE, RoHS

V 100 ÷ 240Vac 50/60Hz

W 50W

LED



110°

Cable

Silver

Aluminium

Ta -25°C
+50°C

50000 Hr
(L80B22)



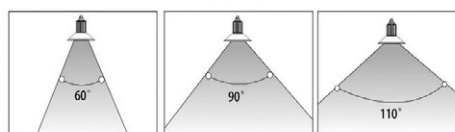
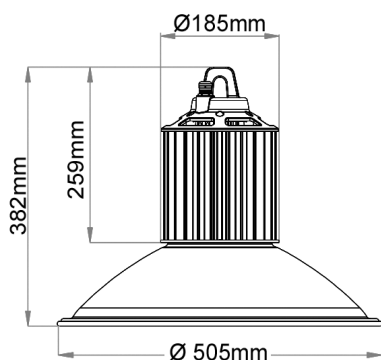
Temp. Col. 4000K
Natural white
cod. AR0050-NW

Temp. Col. 6000K
Cool white
cod. AR0050-W

Galaxy-50 LED

Galaxy-50 is a industrial pendant illuminators with LED technology, highly reflective aluminum reflector with 110° aperture and IP65 protection. The all-aluminum body enables the appropriate dissipation without the need for forced ventilation, ideal for any installation indoor and outdoor, such as warehouses, production areas, loading and unloading areas and in any environment where you need a diffused lighting from above. Ideal for the replacement of traditional 150W, . Arena Luci provides two different types of reflectors, one with aperture of 60° and the other 90°, these will be ordered as alternative accessory.

Code	Colour Temperature	Input	Watt	Luminous yeld	CRI	PFC	Beam aperture	IP	IK
AR0050-NW	4000 K	100÷240Vac	50W	100lm/W	Ra ≥80	>95	110°	65	07
AR0050-W	6000 K	100÷240Vac	50W	110lm/W	Ra ≥80	>95	110°	65	07



Arena Luci s.r.l. si riserva la facoltà di modificare le caratteristiche dei prodotti senza obbligo di preavviso
Arena Luci s.r.l. reserve the right to change products specifications at anytime without prior notice